

Top safety for flammable hazardous substances

- ✓ **Top fire resistance class (Type 90)**
- ✓ Proven safety: Certified compliant with **EN 14470-1** and **GS**
- ✓ Doors and carcass double-walled and thermally insulated
- ✓ Automatic thermo-mechanical door closure in the event of fire



Safety and convenience

- ✓ Underbench safety cabinets are storage marvels, with twice as much storage capacity for 1-litre bottles compared with conventional cabinets
- ✓ Adjustable door damping facilitates easy placement or removal of stored items



Tall cabinets

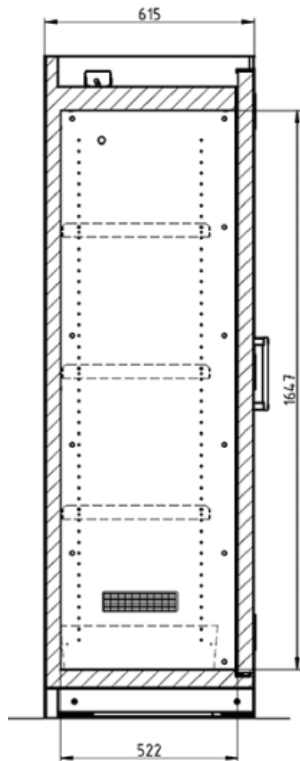
- ✓ Hinged or folding doors
- ✓ Optional automatic door closure
- ✓ Removable shelves and catchment trays or self-retracting pullouts in the event of fire

Underbench cabinets

- ✓ Hinged doors and/or pull-outs
- ✓ Optional second level of pull-outs
- ✓ Canister with fi II level monitoring



Tall cabinets

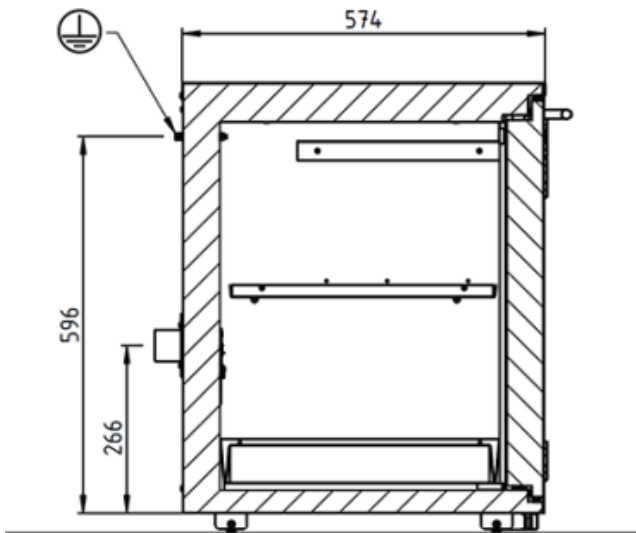


	Closure		Width		Height	Depth
1 hinged door, left or right	Manual	600	-	-	1955	615
2 hinged doors	Manual	-	900	1200	1955	615
1 hinged door, left or right	Automatic time-delayed closure	600	-	-	1955	615
2 hinged doors, one-hand operation	Automatic time-delayed closure	-	900	1200	1955	615
2 folding doors	Manual	-	-	1200	1955	615

Dimensions [mm]

Underbench cabinets

	Width				Height	Depth
1 pull-out	590	890	-	-	710	574
2 pull-outs	-	-	1100	1400	710	574
2 hinged doors	-	-	1100	-	710	574
2 hinged doors, 1 pull-out	-	-	-	1400	710	574



Dimensions [mm]